

Absolute Rotary Encoders

SIL3 / PLe

Family CD_75



Absolute Rotary Encoder - Family CD_75 - Housing 75 mm



Functional safety up to SIL3 / PLe

Many applications in automation technology are subject to the highest safety requirements. By using SIL3/PLe-certified products you will achieve maximum safety in workplaces or environments that are shared by people and machines. Our absolute rotary encoders with SIL3 or PLe certification (safety rotary encoders) are available in sizes from 75 mm (hollow shaft or solid shaft). Standard interfaces such as Double SSI, PROFIsafe via PROFIBUS, PROFIsafe via PROFINET or Open-Safety via Powerlink or FSoE via EtherCAT guarantee optimal safety and precision. The ATEX-compliant housing variant offers additional protection in explosive atmospheres. No separate modules are necessary for reliable position output, and there is no need to separately program a safety module - you couldn't get a simpler or more cost-effective solution.

Safety rotary encoders



CD_75 M

The double rotary encoder system with hollow shaft and multi-turn detection fulfill the requirement of EN 615081*. The use of certified individual components makes it easier for the system integrator to fulfill the safety requirements of the entire application, for example within the event technology, storage and logistic technology and wind energy. The use of our SIL3-certified safety absolute rotary encoder liberates the user from the obligation to prove functional safety for this positioning sensor separately.

With certified components the strict safety guidelines will be met. The double rotary encoders CD_75 M are available with hollow and solid shaft. They are approved for applications according to SIL3 or PL e. For local motor feedback, there is an optional rectangle or sine/cosine incremental output available. Different resolutions can be chosen (period/revolution).



*test regulations category 4/PL e according to EN ISO 13849-1, SIL CL3 according to EN 61800-5-2/EN 62061 and IEC 61508.

Safety rotary encoders

Possible application areas

- _ crane technology
- _ event and stage technology
- _ drive technology
- _ conveying systems and logistics
- _ machinery and plant engineering
- _ automation technology
- _ wind energy plant

Cranes with overlapping work areas or with obstacles within the working area

Through measurement of rope positions and rotation angles, collisions can be avoided. Numerous travelling cranes on a common track – through safe measurement of each position, collision can be avoided.

Common work areas of men and machines –

Through safe position detection in the various areas of safety, safe work areas can be differentiated from each other.

Processes with minimal or maximum speed – Through safe speed sensing, it is assured that the drive never oversteps a maximum speed or that it safely achieves a required speed before starting a process.

Synchronous run monitoring¹ – An unsafe electrical axial synchronization can be made safe by using a certified SIL3/PLe rotary encoder with an externally attached safety system.

Shaft control¹ – Rotation through overload or a twist-off will be detected through a SIL3/PLe rotary encoder with an external safety system.

Advantage of certified components

The basic safety standard IEC 61508² differentiates between measures to eliminate errors and measures to control errors. The measures to eliminate errors embrace the entire design and development process. These are required for the development of individual components and they serve to avoid systematic errors.

Important for error control are quantifiable characteristics of the considered components and of the complete system. The probability of a dangerous failure of the safety function has priority. The calculation results in the rated failure probability of all individual components for the entire safety chain. It is checked and documented how systematic errors can be avoided or controlled for certified components.

If non-certified components are chosen to be used solely based on their mathematical safety value, the responsibility is laid upon the person who undertook the construction.

The producer of components with certification makes a clear statement: "Yes, ideal for safety-oriented applications". As a user of certified components you can rely on this – after all, the certification according to SIL3 or PLe has been given by independent specialists.

¹on request ²test regulations category 4/PL e according to EN ISO 13849-1, SIL CL3 according to EN 61800-5-2/EN 62061 and IEC 61508.



SIL and PL – two scales for safety

SIL

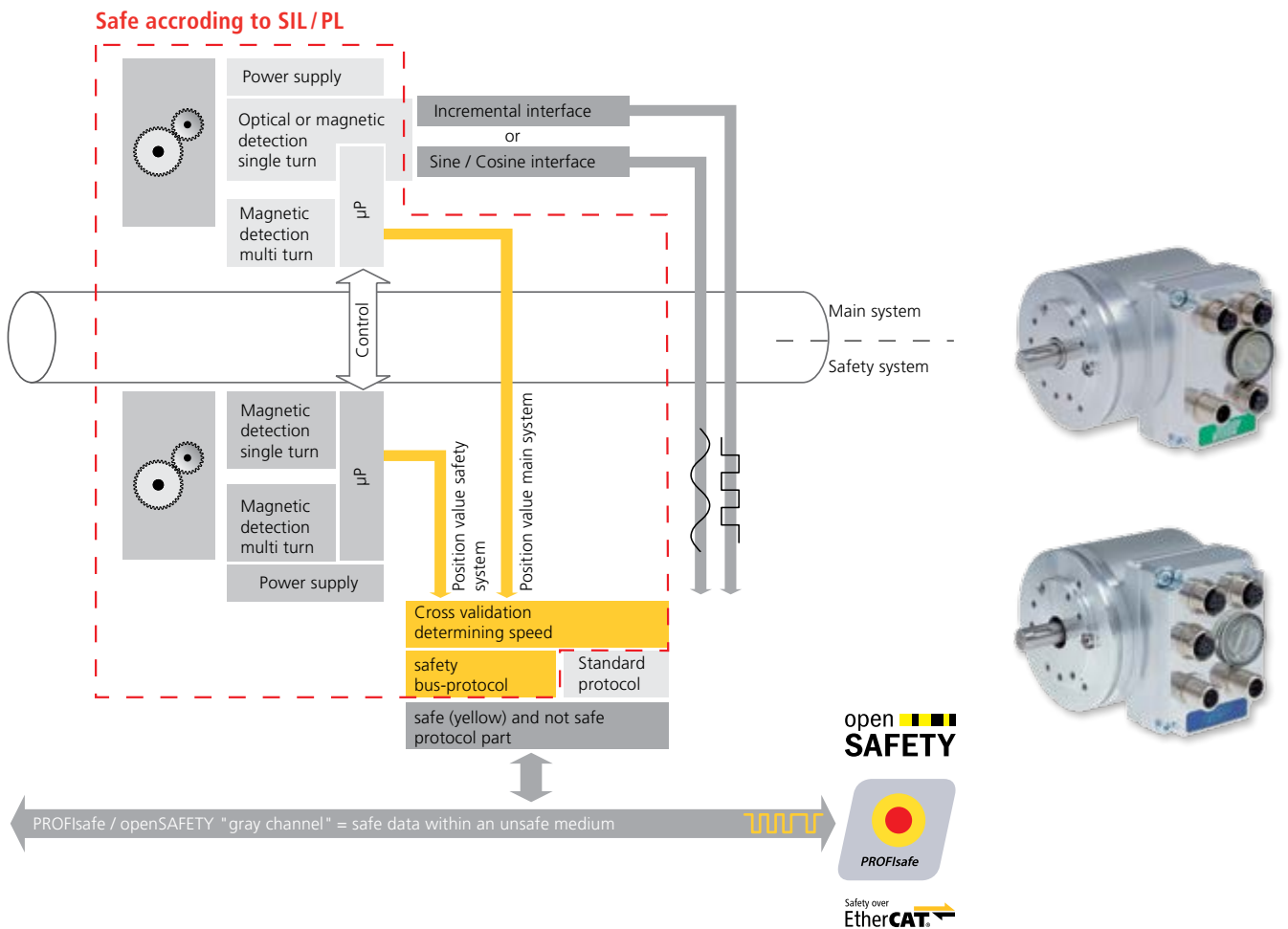
The safety integrity level (SIL) is described in the international standard according to IEC 61508. It serves to judge electrical/programmable systems relying on dependability of safety functions. The aimed-at level indicates which safety-related construction principals have to be satisfied to minimize the risk of malfunctions.

PL

Within the standard EN ISO 13849-1 five categories are defined, called performance levels (PL). They build on one another, starting with a, b, c, d and e. The different levels help to classify safety-related performance. They are determined according to the average probability of a dangerous failure and the diagnostic coverage and in consideration of the structural design of a system (how many channels the system has, how independent they are from each other). Our safety rotary encoders are certified according to PL "e", the highest performance level.

Safety rotary encoders

SIL 3/PL e



Rotary encoder, safe according to SIL 3/PL e

Within the revolution in system one the shaft position is detected with an optical single-turn encoder. The revolutions are detected over mechanically attached satellites. This gives the absolute positioning value of measurement system one. For system two, the revolution position is transferred via magnetic central detection, and the revolutions are detected with magnetic equipped satellites. This gives the absolute positioning value of measurement system two. The CPUs give each other signs of life.

The optical detection gives out incremental signals. It can be switched between rectangle and sine/cosine outputs with various resolutions. For safety reasons, the resolutions of the measurement systems are not programmable.



Certification, PROFIBUS

SIL CL 3 according to IEC 61508 PL e according to EN ISO 13849-1

PROFIBUS/PROFIsafe: certification has been awarded to the PROFIBUS (PI certificate Z01522), the PROFIsafe conformance (PI certificate Z20031) as well as the fulfillment of the safety standards (TÜV Rheinland, 01/205/5015/10).

2xSSI



open 
SAFETY

ETHERNET 
POWERLINK

Safety over
EtherCAT 



Certification, PROFINET

SIL CL 3 according to IEC 61508 PL e according to EN 61800-5-2

PROFINET/PROFIsafe: certification has been awarded to the PROFINET (PI certificate Z10472), the PROFIsafe conformance (PI-Zertifikat Z20068) as well as the fulfillment of the safety standards (TÜV Rheinland, 01/205/5221/12).



Certification, POWERLINK

SIL CL3 to IEC 61508, PL e to EN 61800-5-2

POWERLINK/openSAFETY: certification has been awarded to the POWERLINK (PI certificate 1000022), the openSAFETY conformance (PI certificate 14000100) as well as the fulfillment of the safety standards (TÜV Rheinland, 01/205/5424.00/14).

Functional safety – plant safety and personal security

For a lot of applications in automation technology, there are high safety requirements. Dangerous plant conditions can be avoided by using SIL3/PLe-certified rotary encoders. You don't have to independently prove the functional safety of these position sensors.

Current solution

Until now, for applications with high safety requirements, absolute rotary encoders with additional incremental signals have been used. The incremental signals function as a control over the positioning values. With this method, there was a safety deficit when turning on the machine because there was only one absolute value available. If this value was

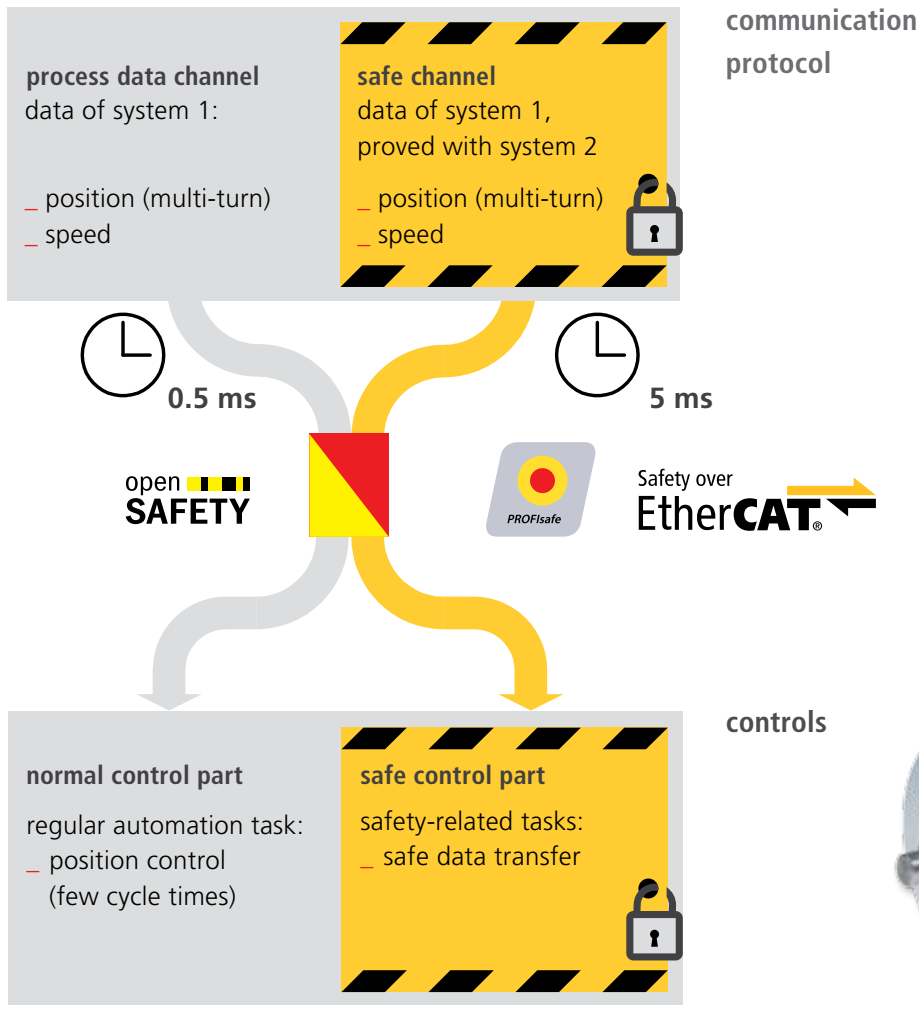
wrong due to data loss or an adjustment value, it couldn't be detected.

Certified solution

The absolute rotary encoder CD_75 M captures the revolution information through a mechanical gear without a battery backed revolution counter. Development, technology and production of this device is certified through the *TÜV. They are used in plants and equipment requiring safety integrity level 3 (SIL3: IEC 61508/EN 62061) or a performance level e (PL e: EN ISO 13849 -1). The CD_75 PROFIsafe additionally gives out safe speed values.

*German Association for Technical Inspection

Communication and preset



Communication with safety bus system

The actual values will be transferred via safety bus system. Within the safe protocol part the actual value and the speed will be transferred. These values are also available over not safe normal PROFIBUS/PROFINET telegrams. Therefore, safe and normal control parts have access to it. Certified are the bus interface, the bus compliance, as well as the fulfilling of the safety standards.

The actual values for position and speed are transferred in two slots:

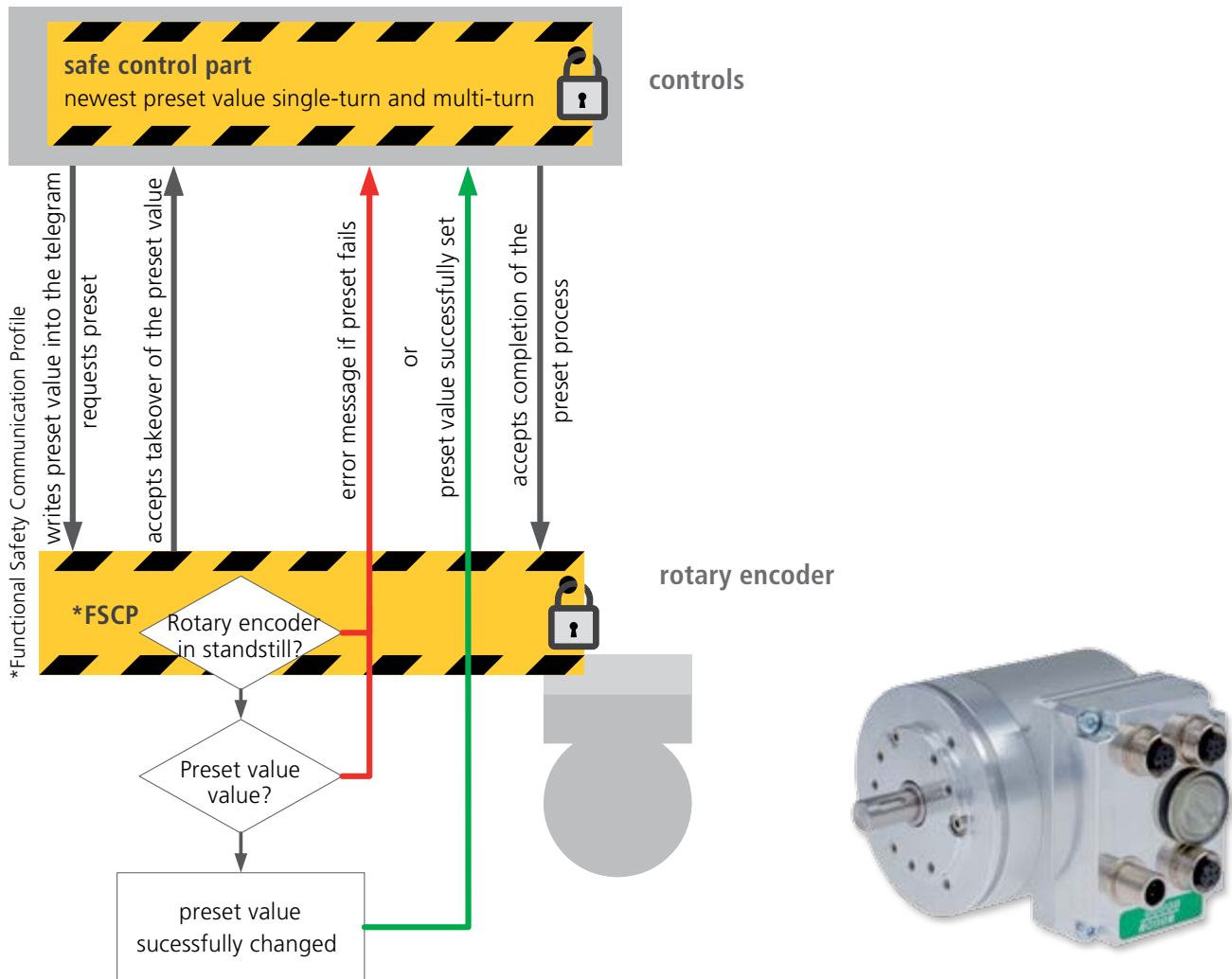
For safe transmission the actual position values of both rotary encoder systems are compared. If the difference is smaller

than the adjusted control window, the rotary encoder value does count as safe. The safe actual position value and the derived safe speed value will be transferred over the secured telegram.

The part of the control taking on the safety-related tasks can process these values.

The actual position value and the calculated speed of the main rotary encoder are directly transferred within the unsecured process data channel. Usually, this channel is processed more often by the controller. Normal automation processes can access actual position values more often.



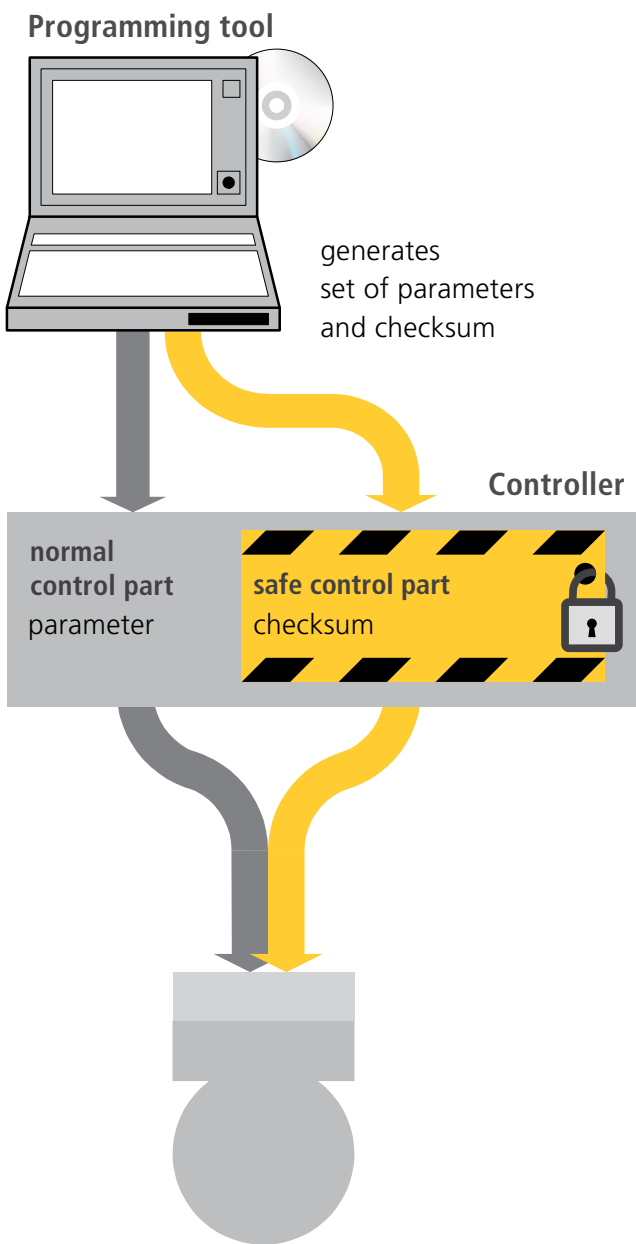


Preset via safety bus system

By setting a preset value, the actual issued value of the rotary encoder can be placed arbitrarily at a value within the maximum measurement range. With this, the shown position can be placed electronically at a machine referencing position. The offset value will be saved within the rotary encoder. Setting a preset value is a safety-relevant process. A jump of the actual value, for example using a controller, can lead to an uncontrolled movement of the machine. Therefore, setting a preset value can only be done when the relevant machine part is still. The preset is already locked within the rotary encoder and can only be activated via a special part within the safe protocol part.

Even if all preconditions of the controller are fulfilled, the preset will only be executed when the rotary encoder shaft stands still. Further measures have to be taken into account. The controller can start the preset process only when the related drives are secured against running. It is recommended to lock the preset process from the controller through further safety measures (for example key switches, password prompts, etc).

Parameterization via safety bus system



Parameterization

Parameters are transferred over the bus each time the machine starts up. This set of parameters will be saved over a checksum:

Reading value difference

Permissible difference between the rotary encoder values of system 1 and system 2.

Standstill tolerance

To trigger a preset process, the rotary encoder must be still. Depending on the drive, it is necessary to specify its tolerance range.

Direction of rotation

Positive count direction clockwise/counterclockwise.

Integration time

Time base of the speed calculation. Long integration times enable high resolution measurements at a low rotary speed. A short integration time shows speed changes faster: well suited for high rotation speeds and great dynamics. Information is a multiple of the cycle time of the rotary encoder system: For process data channel (unsecured) 5 ... 500 ms, for safe channel 50 ... 500 ms.

Integrated safety – CD_75M

For numerous industrial applications such as presses, cranes and robots, it is important to exactly capture the movement exactly in position and speed. These movements always have the potential to be accompanied by a hazard. Therefore, working stations, positions and speed are always controlled. In general, controls like this require a higher standard of technology. The relevant functions are interpreted as safety functions with necessary SIL / PL. For positioning sensors, the following methods of secured data are possible.

Secured Speed Data

Secured speed data is needed to allow access to a usually dangerous area where tasks such as maintenance or start-up work have to be done.

The CD_75M delivers safe position information which is used in a controller to realize secured maximum speed (SLS: Safely Limited Speed).

Safe Position

A safety function needs reliable position information when different safety requirements must be determined in different areas. With this information, for example, a "Safe Direction – SDI" can be realized, or other safety parameters in relation to the position can be determined.

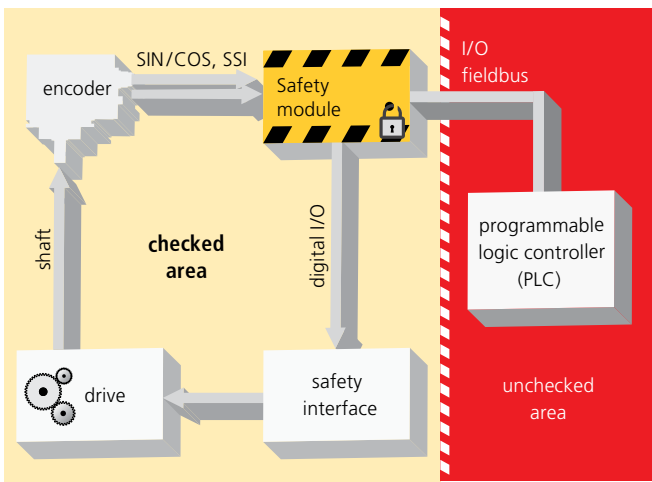
The CD_75M sends the safe position information directly over a appropriate safety protocol within the safety control.

Application examples

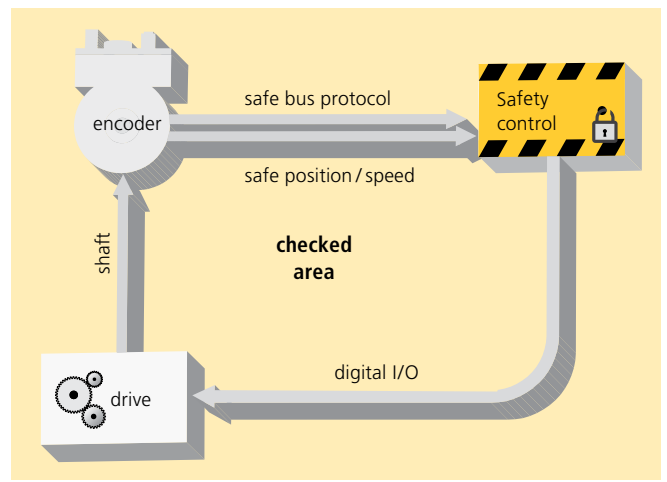
- _safety standstill
- _safety position detection (monitoring the danger area)

Conventional Standard versus Integrated Safety

Conventional Standard



Integrated Safety with CD_75M



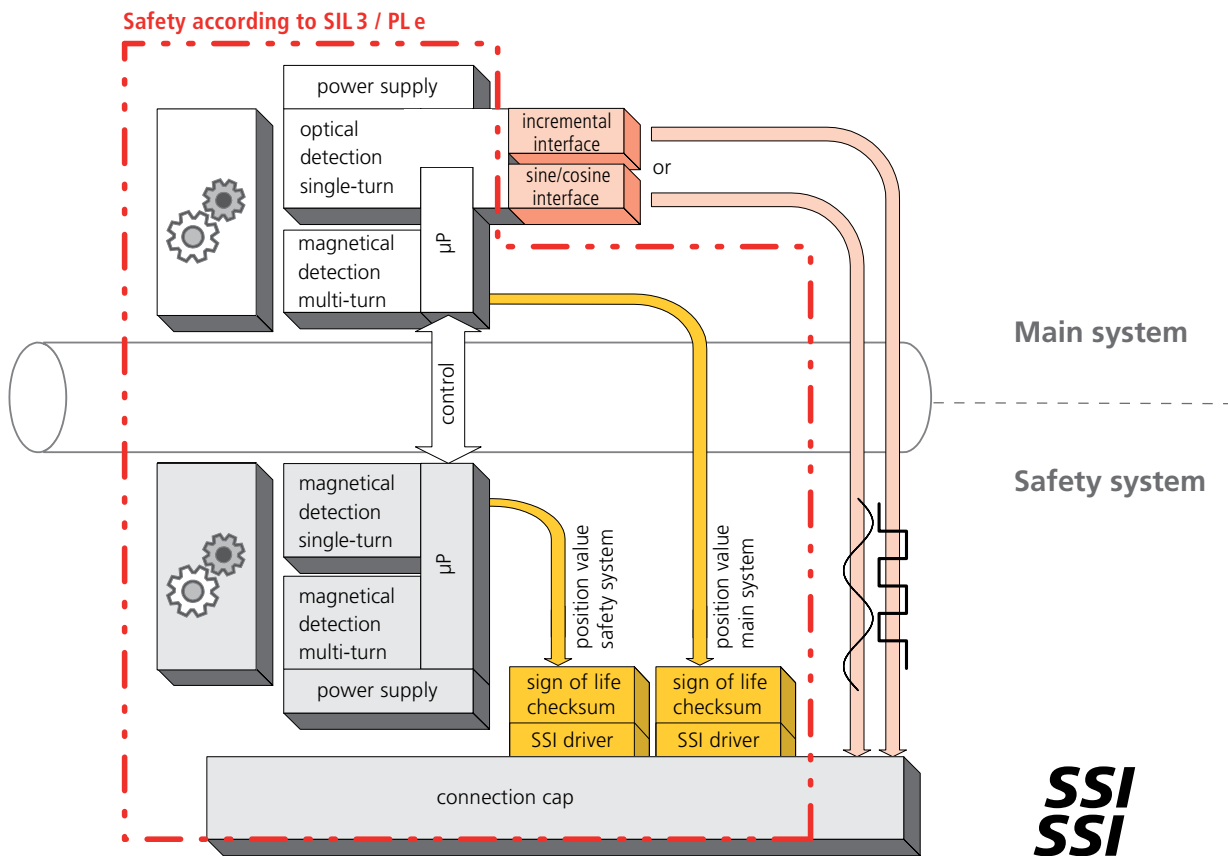
Conventional Standard

The tests of the signals are done in a safety module. Depending on the features of the rotary encoder, the safety module can identify the safe speed or single/multi-turn position. The safety module decides based on the parameters of limited values and functions whether the status of the machine is safe and the drive keeps running or whether it has to stop. The safety function is solely restricted to this part of the plant. If real positioning and speed values requested (e.g. controller), a second rotary encoder is needed. Both, the controller as well as the safety module, have to be correctly programmed and parameterized. For individual plant parts, this technology can be retrofitted. The rotary encoders used don't have to be certified. They only have to fulfill the requirements of the producer of the safety modules.

Integrated Safety with CD_75M

The measurement values of safe speed and safe multi-turn position are determined within the certified rotary encoder. They are transmitted over a safe bus system to an equally certified safety module. Therefore, the safe sensor values are available for each controller of the entire machine or plant. This enables intelligent safety conditions where humans and machines share the work environment without mechanical safety devices. Work areas can be divided into different zones with adjusted safety requirements. Position and speed values are available for either safety applications over a secured channel or for normal automation functions over an unsecured channel. Therefore, a rotary encoder for position feedback is unnecessary. Due to the integration of the PLC a safe operation with a large range of functions can be guaranteed.

Safety according to SIL 3 / PL e with 2 × SSI



The determined position values will be enhanced with status information and checksum. These position values will be distributed on separate SSI interfaces. It is the task of the sequential electronics to determine the accuracy of the measurement values by comparing both values. Hereby, additional information provided within the SSI telegram is helpful. The SSI telegram also transfers an error bit of the other system; therefore it is possible to determine that you have to look for an error within the rotary encoder (the other system reports the error) or in the cable (the other system reports no error).

Both systems transfer the actual position value in an enhanced SSI telegram.

Error bit

The error bit of both systems is shown in both SSI channels. Therefore, if there is a malfunction in one of the SSI channels the error can be transferred into the other channel without issue. Hence, the diagnosis of both systems can be determined even when only one channel is operational.

Checksum

An 8 bit CRC checksum will be calculated from all user data within the SSI telegram and will then be put into the SSI telegram. Secured data: MT and ST data, error bits, sign of life counter. Hamming distance = 3: two incorrect data bits will safely be recognized.

Sign of life counter

The sign of life counter will be incremented with each detection process of the rotary encoder system. The incremented sign of life counter makes sure, up to the latest telegram, that the latest transferred data comes out of a new position detection.

If SSI requests happen faster than the internal detection (500 µs master channel, 500 µs safety channel), the position data and the sign of life counter remain unchanged.




















Optical detection (E)

Magnetic detection (M)

Product	CDV75M	CDV75MM	CDH75M	
				
Detection	Optical detection (E)	Magnetic detection (M)	Optical detection (E)	
Single / multi	(M) Multi	(M) Multi	(M) Multi	
Supply	11...27 VDC	11...27 VDC	11...27 VDC	
Full resolution	28 bit	28 bit	28 bit	
Steps per turn	8192	8192	8192	
Number of turns	32768	32768	32768	
Properties	Fast optical main detection	Dewfall proof	Fast optical main detection	
Shaft diameters available	10mm with keyway	10mm with keyway	20mm with keyway	
Connectors	Connectors radial, cable glands radial (SSI)	Connectors radial, cable glands radial (SSI)	Connectors radial, cable glands radial (SSI)	
Ambient temperature	-20...+70 °C	-20...+70 °C	-20...+70 °C	
Protection class	IP 54	IP 65	IP 54	
ATEX zone				
Interface	    	    	    	
Option, additional interfaces (on request)	INC		INC	
Weblink	www.tr-electronic.com/s/S007271	www.tr-electronic.com/s/S007271	www.tr-electronic.com/s/S007272	
QR-Code				

Can't find the right variant? Please contact us (info@tr-electronic.de)

Optical detection (E)

		
Optical detection (E)	Optical detection (E)	Optical detection (E)
(M) Multi	(M) Multi	(M) Multi
11...27 VDC	11...27 VDC	11...27 VDC
28 bit	28 bit	28 bit
8192	8192	8192
32768	32768	32768
Fast optical main detection	Fast optical main detection	Fast optical main detection
10mm with keyway	20mm with keyway	10mm with keyway
Connectors radial, cable glands radial (SSI)	Connectors radial, cable glands radial (SSI)	Cable gland axial
-20...+60 °C	-20...+60 °C	-20...+60 °C
IP 54	IP 54	IP 65
Zone 2/22	Zone 2/22	Zone 1/21
    	    	  
INC	INC	INC
www.tr-electronic.com/s/S007273	www.tr-electronic.com/s/S007274	www.tr-electronic.com/s/S011171
		

Can't find the right variant? Please contact us (info@tr-electronic.de)

Suggested Products

Order code	Steps per turn	Turns	Shaft / Flange	Connector position	Connector type	Remark
CDV75M-SSI (E) Double detection, solid shaft, SSI						
CDV75M-00001	8192		10Keyway/19,5 ZB50	2 x cable gland		TTL Incr -20...70°C
CDV75M-PB (E) Double detection, solid shaft, Profibus						
CDV75M-00008	8192		10Keyway/19,5 ZB50/D75 9XM4	Connector radial	5 x M12	SIN/COS -20°...70°C
CDV75M-PN (E) Double detection, solid shaft, Profinet						
CDV75M-00012	8192		10Keyway/19,5 ZB50/D75 9XM4	Connector radial	4 x M12	TTL Incr -20°...70°C
CDV75M-00014	8192		10Keyway/19,5 ZB50/D75 9XM4	Connector radial	4 x M12	
CDV75M-00018	8192		10Keyway/19,5 ZB36	Connector radial	4 x M12	TTL Incr -20°...70°C IP65
CDV75M-00026	8192		10Keyway/19,5 ZB50/D75 9XM4	Connector radial	4 x M12	Seawater-resistant
CDV75M-00020	8192		10Keyway/19,5 ZB36	Connector radial	4 x M12	Stainless steel
CDV75M-EPL (E) Double detection, solid shaft, Powerlink						
CDV75M-00021	8192		10Keyway/19,5 ZB36	Connector radial	4 x M12	
CDV75M-PN (E) Double detection, solid shaft, EtherCAT						
CDV75M-00054	8192		10Keyway/19,5 ZB50	Connector radial	4 x M12	TTL Incr -25°...60°C
CDV75M-PN (E) Double detection, both magnetic, solid shaft, EtherCAT						
CDV75M-00056	8192		10Keyway/19,5 ZB50 D75	Connector radial	4 x M12	-40°C...+65°C
CDV75M-PN (M) Double detection, both magnetic, solid shaft, Profinet						
CDV75M-00061	8192		10Keyway/19,5 ZB36	Connector radial	4 x M12	-40°C...+65°C
CDV75M-00043	8192		10Keyway/19,5 ZB50	Connector radial	4 x M12	-40°C...+65°C
CDV75M-PN (M) Double detection, both magnetic, solid shaft, Powerlink						
CDV75M-00065	8192		10Keyway/19,5 ZB50 D75	Connector radial	4 x M12	-40°C...+65°C

For further product information simply enter the order number in the search field at www.tr-electronic.com.

We will help you to select the most suitable products from the complete TR range. Please contact us (info@tr-electronic.de).

Suggested Products

Order code	Steps per turn	Turns	Shaft / Flange	Connector position	Connector type	Remark
------------	----------------	-------	----------------	--------------------	----------------	--------

CDH75M-SSI (E) Double detection, hollow shaft, SSI

CDH75M-00001	8192		20H7/Keyway slot for pin D4	2 x cable gland		TTL Incr -20...70°C 2x KV
CDH75M-00024	8192		14H7/Keyway slot for pin D4	2 x cable gland		

CDH75M-PB (E) Double detection, hollow shaft, Profibus

CDH75M-00008	8192		20H7/Keyway slot for pin D4	Connector radial	5 x M12	TTL Incr -20°...70°C
--------------	------	--	-----------------------------	------------------	---------	-------------------------

CDH75M-PN (E) Double detection, hollow shaft, Profinet

CDH75M-00013	8192		20H7/Keyway slot for pin D4	Connector radial	4 x M12	TTL Incr -20°...70°C
CDH75M-00019	8192		20H7/Keyway slot for pin D4	Connector radial	4 x M12	Seawater-resistant
CDH75M-00046	8192		20H7/Keyway ZB46	Connector radial	5 x M12	TTL Incr -20°...70°C

CDH75M-EPL (E) Double detection, hollow shaft, Powerlink

CDH75M-00026	8192		20H7/Keyway slot for pin D4	Connector radial	4 x M12	
--------------	------	--	-----------------------------	------------------	---------	--

CDH75M-PN (E) Double detection, hollow shaft, EtherCAT

CDH75M-00041	8192		12H7/Keyway slot for pin D4	Connector radial	4 x M12	TTL Incr -25°...60°C
--------------	------	--	-----------------------------	------------------	---------	-------------------------

ATEX ADV75M-SSI (E) Double detection, solid shaft, SSI

ADV75M-00003	8192		10Keyway/19,5 ZB36	2 x cable gland		II 3G Ex nAc IIC T4 X II 3D Ex tc IIIC T130°C IP64 X
--------------	------	--	--------------------	-----------------	--	---

ATEX ADV75M-PB (E) Double detection, solid shaft, Profibus

ADV75M-00001	8192		10Keyway/19,5 ZB50/D75 9XM4	Connector radial	5 x M12	II 3G Ex nAc IIC T6X II 3D Ex tc IIIC T65°C IP64 X
--------------	------	--	-----------------------------	------------------	---------	---

ATEX ADV75M-PN (E) Double detection, solid shaft, Profinet

ADV75M-00002	8192		10Keyway/19,5 ZB50/D75 9XM4	Connector radial	4 x M12	II 3G Ex nAc IIC T6X II 3D Ex tc IIIC T65°C IP64 X
--------------	------	--	-----------------------------	------------------	---------	---

For further product information simply enter the order number in the search field at www.tr-electronic.com.

Suggested Products

Order code	Steps per turn	Channels	Shaft / Flange	Connector position	Cable length	Remark
ATEX ADH75M-PB (E) Double detection, hollow shaft, Profibus						
ADH75M-00001	8192		20H7/Keyway slot for pin D4	Connector radial		II 3G Ex nAc IIC T6X II 3D Ex tc IIIC T65°C IP64 X
ATEX ADH75M-PN (E) Double detection, hollow shaft, Profinet						
ADH75M-00002	8192		20H7/Keyway slot for pin D4	Connector radial		II 3G Ex nAc IIC T6X II 3D Ex tc IIIC T65°C IP64 X
ATEX ADV88M-EPL (E) double detection, solid shaft, Powerlink						
ADV88M-00002	8192		10N/20, ZB36	Cable gland axial		II 2G Ex db IIC T6 II 2D Ex tb IIIC T80°C IP65
ADV88M-00005	8192		10N/20, ZB36	Cable gland axial		II 2G Ex db IIC T6 II 2D Ex tb IIIC T80°C IP65 stainless steel

For further product information simply enter the order number in the search field at www.tr-electronic.com.

Further product information

1. Enter order code into ...



2. Searchfield (top right) on www.tr-electronic.com

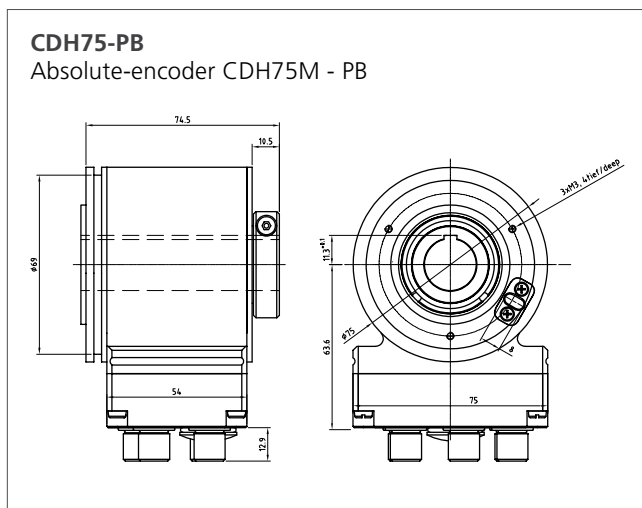
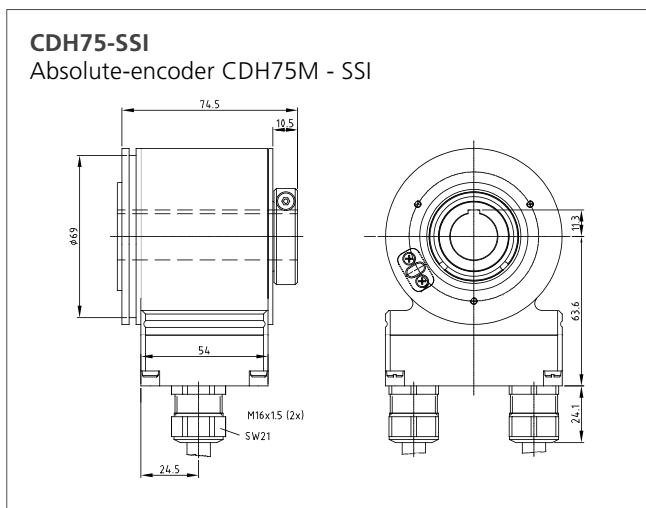
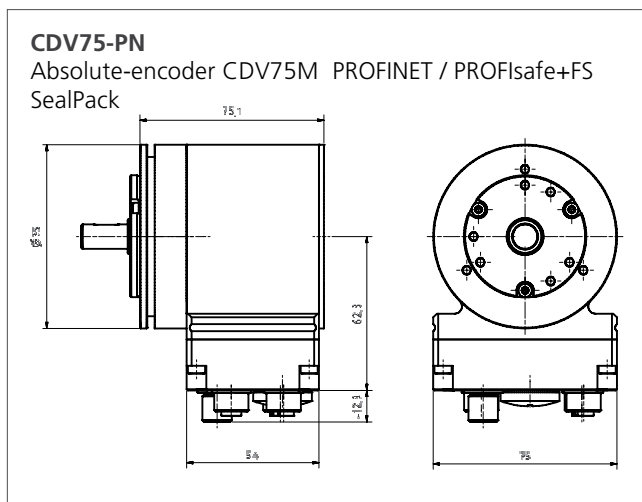
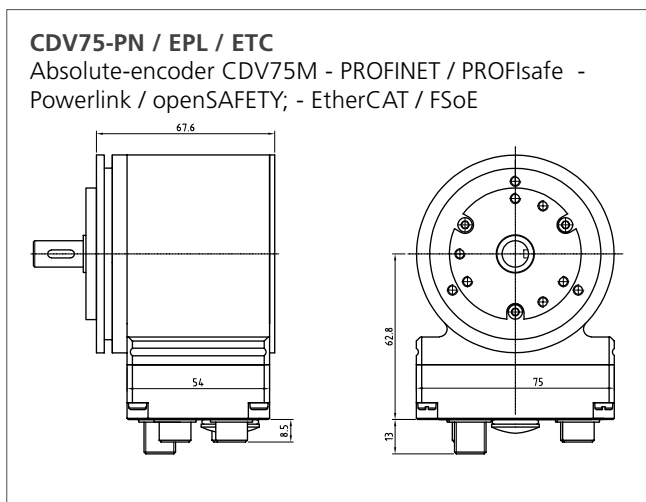
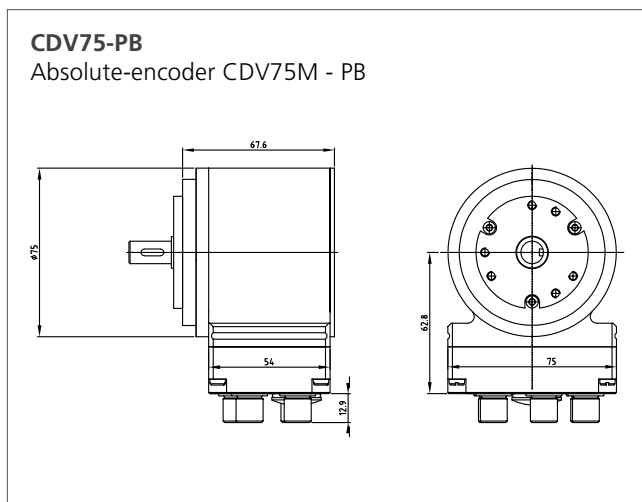
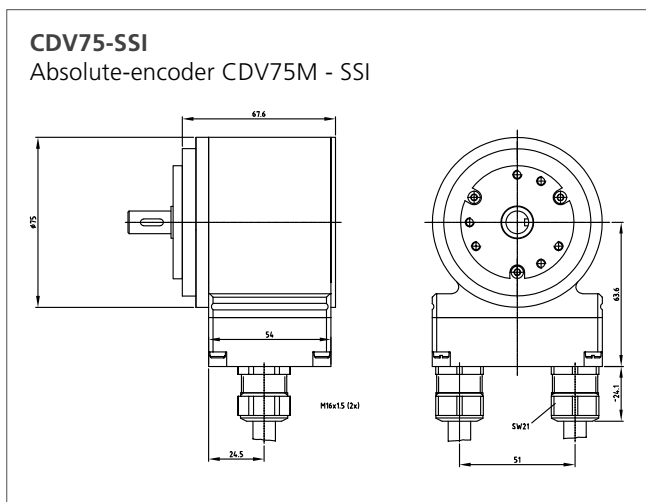


3. Choose desired information



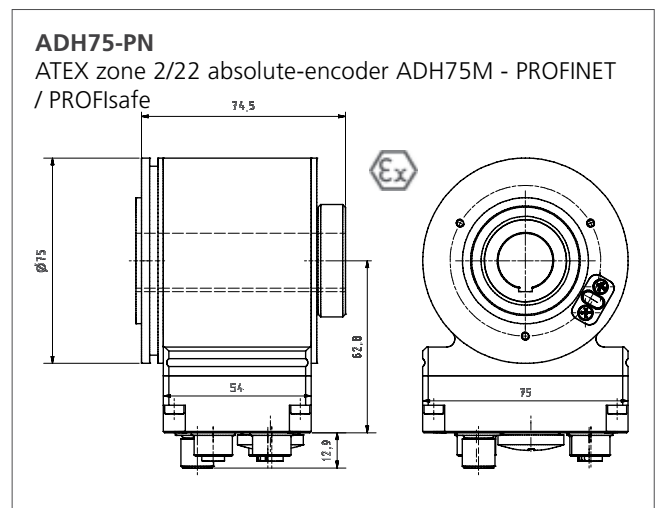
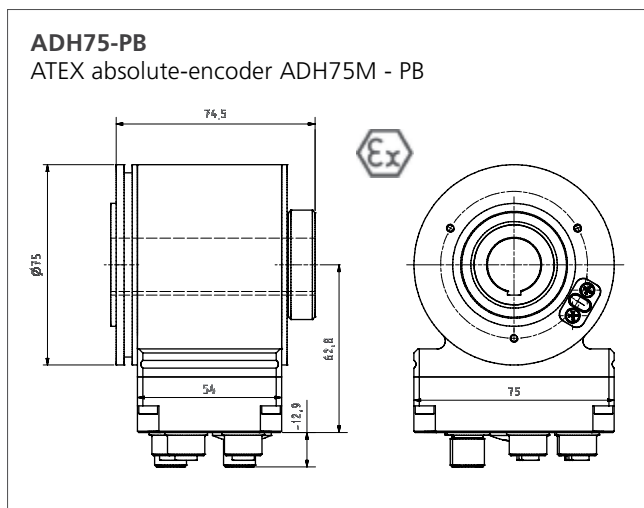
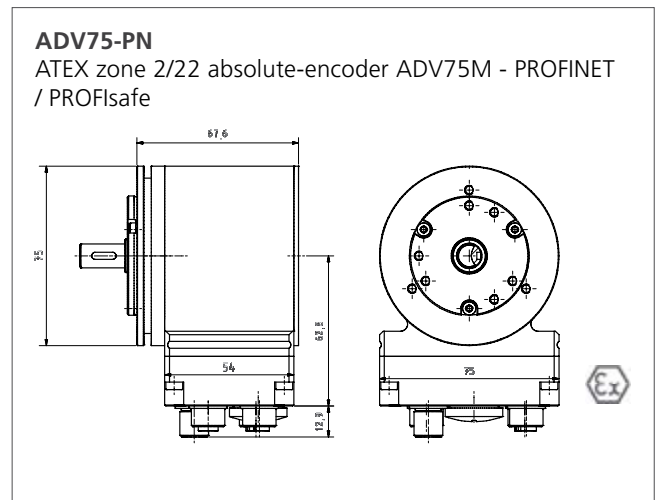
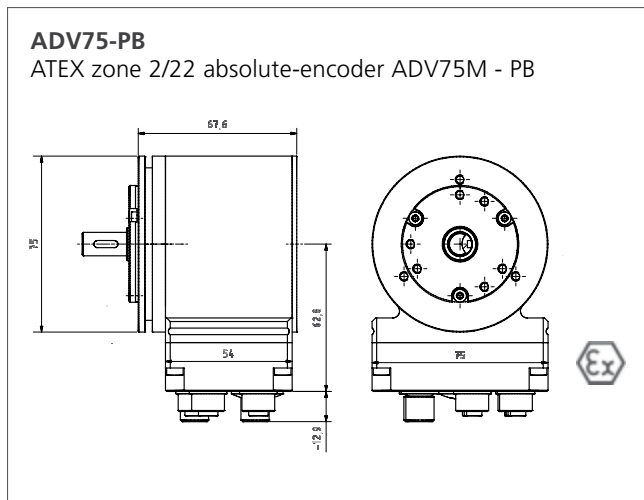
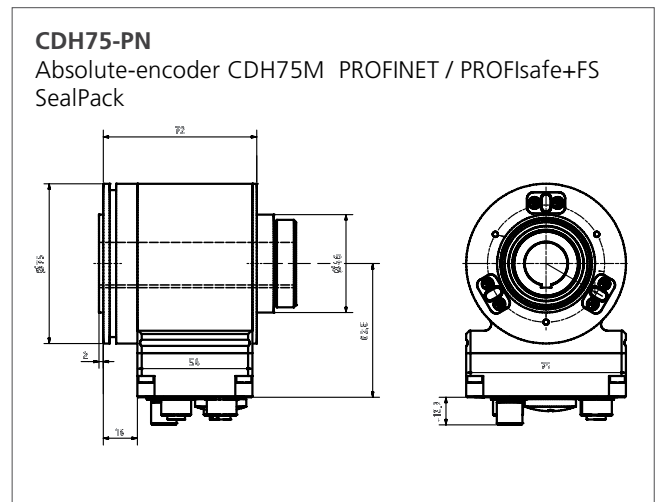
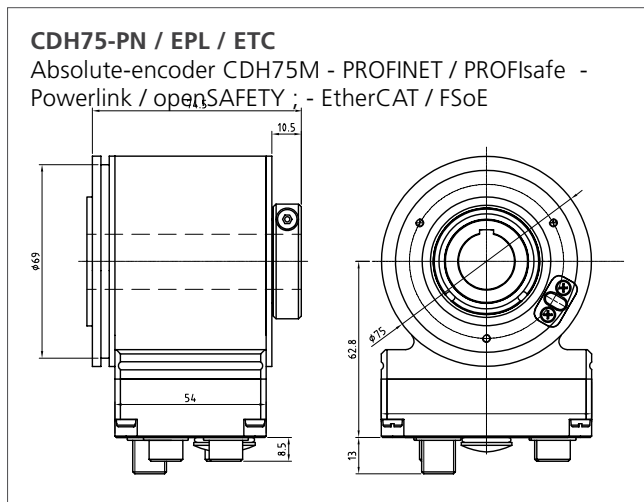
We will help you to select the most suitable products from the complete TR range. Please contact us (info@tr-electronic.de).

Dimensional Drawings



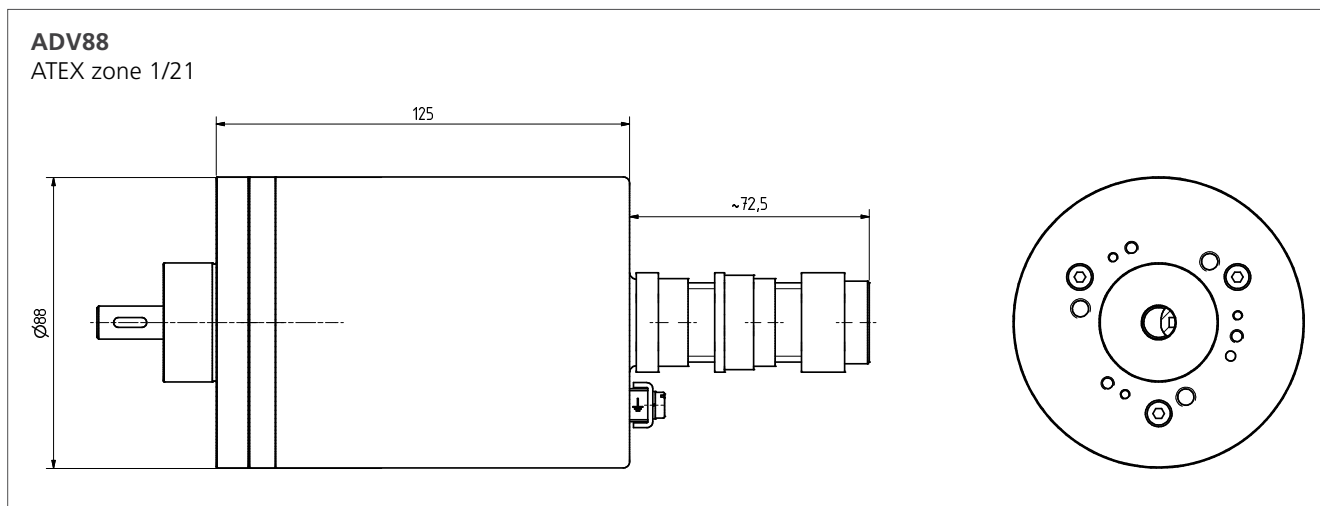
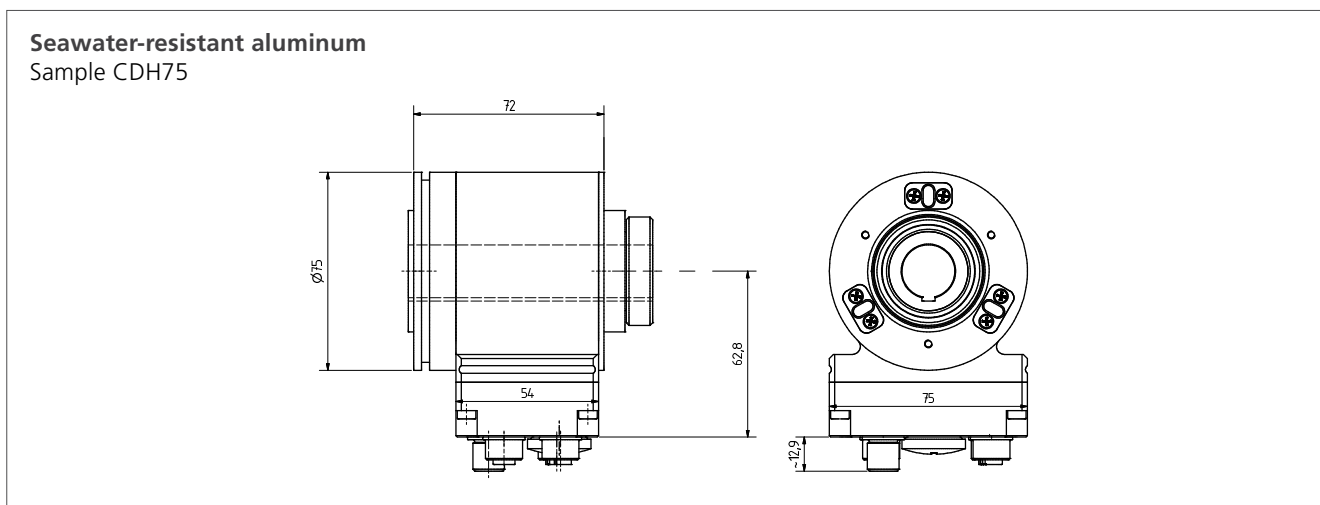
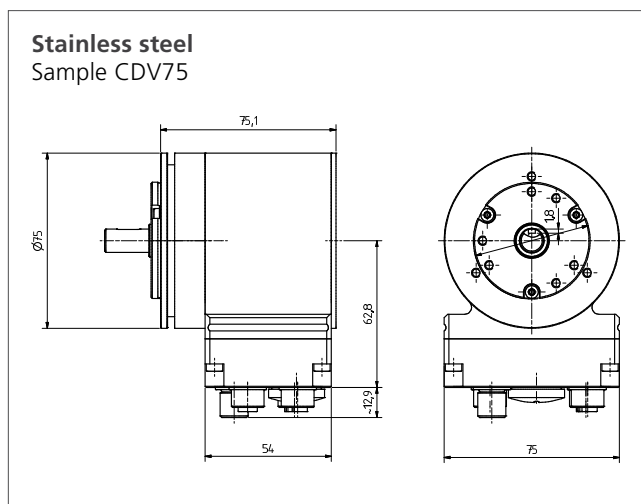
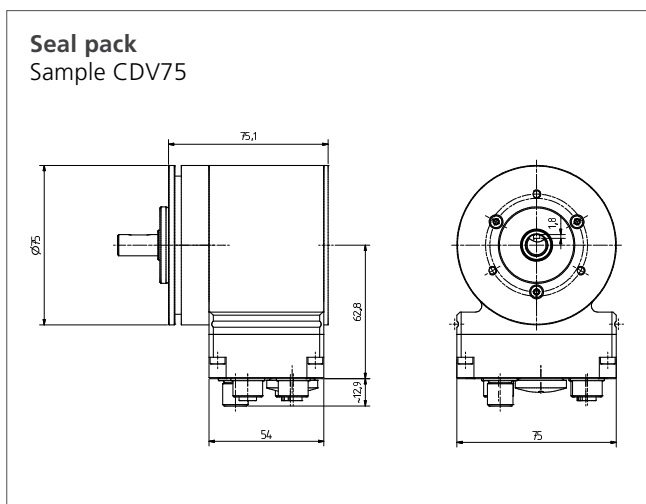
Illustrations are schematic diagrams. Binding dimension drawings and CAD data for specific order numbers at www.tr-electronic.com or on request.

Dimensional Drawings



Illustrations are schematic diagrams. Binding dimension drawings and CAD data for specific order numbers at www.tr-electronic.com or on request.

Dimensional Drawings



Headquarters

TR-Electronic GmbH
Eglishalde 6
D-78647 Trossingen
Germany
Tel.: +49/7425 228-0
Fax: +49/7425 228-33
info@tr-electronic.de
www.tr-electronic.de

International

Argentina

AEA Aparatos Eléctricos Automáticos S.A.C.I.E.
Asunción 2130
AR-1419 Buenos Aires
Tel.: +54/11 - 4574 1155
Fax: +54/11 - 4574 2400
servicioalcliente@aea.com.ar
www.aea.com.ar

Australia (New Zealand)

Sensor Measurement
Unit 8/26 Shields Crescent
P.O. Box 1079
AU-Booragoon
Western Australia 6154
Tel.: +61/8-93 17 25 52
Fax: +61/8-93 17 24 52
sales@sensormeasurement.com.au
www.sensormeasurement.com.au

Australia

Leuze electronic PTY Ltd.
Unit 2/843 Mountain Highway
Bayswater VIC 3153
Tel.: +61/1300 538 933
Fax: +61/3 9738 2677
sales@leuze.com.au
www.leuze.com.au

Austria

TR-Electronic GmbH
Tragösserstraße 117
A-8600 Bruck/Mur
Tel.: +43/3862-55006 0
Fax: +43/3862-55006 33
info@tr-electronic.at
www.tr-electronic.at

Belgium

TR-Electronic Benelux
Dorpstraat 18F
NL-5386AM Geffen
Tel.: +31/73 844 9600
Mobil: +31/6383 28 303
rene.verbruggen@tr-electronic.nl
www.tr-electronic.nl

Brazil

Grupo C+Tecnologia
Rua dos Caetés 601
CEP - 05419-000
BR-Perdizes - São Paulo - SP
Tel.: +55/11-2168 655-4
Fax: +55/11-2168 655-5
info@ctecnologia.com.br
www.ctecnologia.com.br

Canada

TR Electronic
P.O. Box 2543, Station B
CA-London
Ontario Canada N6A 4G9
Tel.: +1/519-452 1999
Fax: +1/519-452 1177
customercare@trelectronic.com
www.trelectronic.com

Chile

Allware
Casa Haverbeck
General Lagos 2060 2º Piso
Region de Los Rios Valdivia
CHL-Santiago Chile
Tel.: +56 63/239298
Sales@allware.cl
www.allware.cl

China

TR-Electronic (Beijing) CO., Ltd.
Room 717 / 718, Building A2
Electronic City Science Park
Jiu Xian Qiao Dong Road No. 9
Chaoyang District
CN-100027 Beijing, P.R. China
Tel.: +86/10 - 582 386 55
Fax: +86/10 - 582 372 10
lu.yu@tr-electronic.de
www.tr-electronic.com.cn

Czech Republic, Slovakia

DEL a.s.
Biskupský dvůr 1146/7
Nové Město
CZ-110 00 Praha 1
Tel.: +420/566 657 100
Fax: +420/566 621 657
tr-electronic@del.cz
www.del.cz

Denmark

TR-Electronic Danmark ApS
Hustedgårdvej 22
DK-8722 Hedensted
Tel.: +45/75 89 06 03
cbj@tr-electronic.dk
www.tr-electronic.dk

Finland

Sarlin Oy Ab
P.O. Box 750
FI-00101 Helsinki
Tel.: +358/10 - 550 4000
Fax: +358/10 - 550 4201
info@sarlin.com
www.sarlin.com

France

TR-Electronic France SARL
1 Avenue
Christian Doppler - Bat 2
FR-77700 Serris
Tel.: +33/1-64 63 68 68
Fax: +33/1-61 10 17 66
info@tr-electronic.fr
www.tr-electronic.fr

Great Britain

TR-Electronic Ltd.
4 William House, Old St.
Michaels Drive
GB-Braintree Essex CM7 2AA
Tel.: +44/1 371-876 187
Fax: +44/1 371-876 287
info@tr-electronic.co.uk
www.tr-electronic.co.uk

India

Spohn Burkhardt India
9th Main Road, 500,
33rd A Cross Road
7th Cross, 4th Block Jayanagar
IN-Bangaluru - 560 011, India
Mobile: +91/98451 46948
info@spobu-india.in
www.spobu-india.in

India

Global-Tech (India) Pvt Ltd.
"INFINITY House", Survey No-
85, A-1/4, Lalit Estate, Plot No-7,
Next to Eminent Building, Near
Ganaraj Chowk, Baner Road,
IN-Pune - 411045, Maharashtra
Tel.: +91/20 6744 0033
Fax: +91/20-2447 00 86
info@globaltechindia.com
www.globaltechindia.com

Israel

Dor Engineering
P.O.Box 6
IL-48805 Kibutz Einat
Tel.: +972/3 900 75 95
Fax: +972/3 900 75 99
info@doreng.co.il
www.doreng.co.il

Italy

Telestar S.r.l.
Via Novara, 35
IT-28010 Vaprio D'Agogna (NO)
Tel.: +39/03-21 966-768
Fax: +39/03-21 966-281
telestar@telestar-automation.it
www.telestar-automation.it

Japan

SANTEST CO. Ltd.
1-60 Tsuneyoshi, 1-Chome
Konohanaku
J-Osaka 554-8691
Tel.: +81/6-6465 5561
Fax: +81/6-6465 5921
info@santest.co.jp
www.santest.co.jp

Mexico

TR Electronic
P.O. Box 2543, Station B
CA-London, Ontario Canada
N6A 4G9
Tel.: +1/519-452 1999
Fax: +1/519-452 1177
customercare@trelectronic.com
www.trelectronic.com

Republic of Korea

MS Intech Co., Ltd.
B-306 SK Twintech Tower
345-9 Gasan-dong/
Geumcheon-gu
KR-08589 Seoul
Tel.: +82/2-334 0577
Fax: +82/2-862 1591
sales@msintech.com
www.msintech.com

South Africa

Angstrom Engineering (Pty) Ltd.
Sybrand van Niekerk
Business Park Meyerton
19 Tom Muller Road
ZA-1960 Meyerton
Tel.: +27/362 0300
info@angstromeng.co.za
www.angstromeng.co.za

Thailand

T+R Electronic (Thailand) Co., Ltd.
120/62 Moo 8 Bang Sare
TH-Sattahip, Chonburi 20250
Tel.: +66/38 737 487
Fax: +66/38 737 171
trthailand@trelectronic.co.th
www.trelectronic.co.th

Netherlands

TR-Electronic Benelux
Dorpstraat 18F
NL-5386AM Geffen
Tel.: +31/73 844 9600
Mobil: +31/6383 28 303
rene.verbruggen@tr-electronic.nl
www.tr-electronic.nl

Russia

Sensotek LLC
Kievskoye highway 22 km
(Moskovskiy settlement)
housing estate 4, building 5,
office 505E
RU-108811 Moscow
Tel.: +7/495 181-56-67
Fax: +7/495 181-56-67
info@sensotek.ru
www.sensotek.ru

Spain, Portugal

Intertronic Internacional, SL
C/Johannes Gutenberg, 4 y 6
Parque Tecnológico Paterna
ES-46980 Valencia
Tel.: +34/963 758 050
Fax: +34/963 751 022
info@intertronic.es
www.intertronic.es

Turkey

ÜNİVERSA İÇ ve DIŞ TİC. MAK.
SAN. LTD. ŞTİ.
Cemal Gürsel Caddesi No: 11/7
TR-35600 Karşıyaka-İZMİR
Tel.: +90/232 382 23 14
Fax: +90/232 382 23 24
info@universa.com.tr
www.universa.com.tr

Norway

TR Electronic Norway AS
Fusdal Terrasse 3
N-1387 Asker
Tel.: +46 708 696 533
Fax: +46 875 676 80
info@trelectronic.se
www.trelectronic.se

Saudi-Arabia

Business Tribune Company Ltd.
4237 Ad Danah
King Abdulaziz Road
SA-32437-6887 Ad Dammam
Tel.: +966/3-832 72-17
Fax: +966/3-832 72-41
waleed@bustribune.com.sa
www.bustribune.com

Sweden

TR Electronic Sweden AB
Djupdalsvägen 10
SE-192 51 Sollentuna
Tel.: +46/8-756 72 20
Fax: +46/8-756 76-80
mailbox@trelectronic.se
www.trelectronic.se

USA (TR-Electronic)

TR Electronic
200 East Big Beaver Road
Suite 164
US-Troy, MI 48083
Tel.: +1/248-244-2280
Fax: +1/248-244-2283
customercare@trelectronic.com
www.trelectronic.com

Peru

Grupo C+Tecnologia
Rua dos Caetés 601
CEP-05419-000
BR-Perdizes - São Paulo - SP
Tel.: +55/11-2168 6554
Fax: +55/11-2168 6555
info@ctecnologia.com.br
www.ctecnologia.com.br

Singapore

Globaltec Electronics
(Far East) Pte. Ltd.
50 Bukit Batok Street 23
#06-27 Midview Building
SG-659578 Singapore
Tel.: +65/6267 9188
Fax: +65/6267 8011
janice@globaltec.com.sg
www.globaltec.com.sg

Switzerland

TR-Electronic SA
14, Ch. Pré-Fleuri
CH-1228 Plan-les-Ouates/Genève
Tel.: +41/22-7 94 21 50
Fax: +41/22-7 94 21 71
info@tr-electronic.ch
www.tr-electronic.ch

USA (TRsystems)

TRS Fieldbus Systems, Inc.
666 Baldwin Court
US-Birmingham, MI 48009
Tel.: +1/586 826-9696
Fax: +1/586 826-9697
support@trs-fieldbus.com
www.trs-fieldbus.com

Poland

Stoltronic-Polska Sp.z o.o. Sp.k.
ul. Dąbrowskiego 238
P-93-231 Łódź
Tel.: +48/42 649 12 15
Fax: +48/42 649 11 08
stoltronic@stoltronic.pl
www.stoltronic.pl

Slovenia

S.M.M. d.o.o.
Jaskova 18
SI-2001 Maribor
Tel.: +386/2450 2300
Fax: +386/2450 2302
info@smm.si
www.smm.si

Taiwan

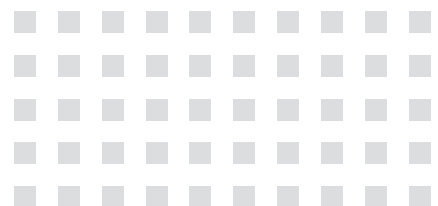
TR-Electronic (Beijing) CO., LTD.
Room 717 / 718, Building A2
Electronic City Science Park
Jiu Xian Qiao Dong Road No. 9
Chaoyang District
CN-100027 Beijing, P.R. China
Tel.: +86/10 - 582 386 55
Fax: +86/10 - 582 372 10
lu.yu@tr-electronic.de
www.tr-electronic.com.cn

TR-Electronic GmbH

Eglishalde 6
D - 78647 Trossingen

Tel. +49 7425 228-0
Fax +49 7425 228-33

info@tr-electronic.de
www.tr-electronic.de



Last update: 10/2019

68-105-098 · TR-V-PR-GB-0008-09

Subject to technology and design modifications.

Cover photo background: ©kras99-fotolia.com