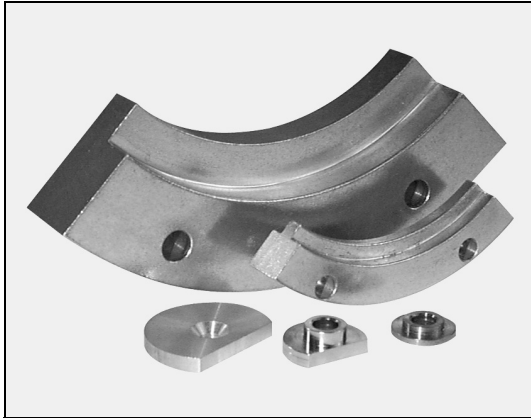
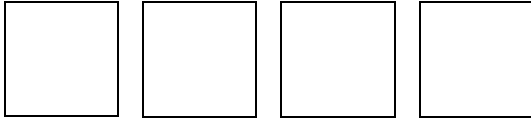


Clamps and mounting brackets

Eglshalde 6
 D-78647 Trossingen
 Tel. +49 - (0) 74 25 / 228 - 0
 Fax +49 - (0) 74 25 / 228 - 33
<http://www.tr-electronic.de>
 Germany

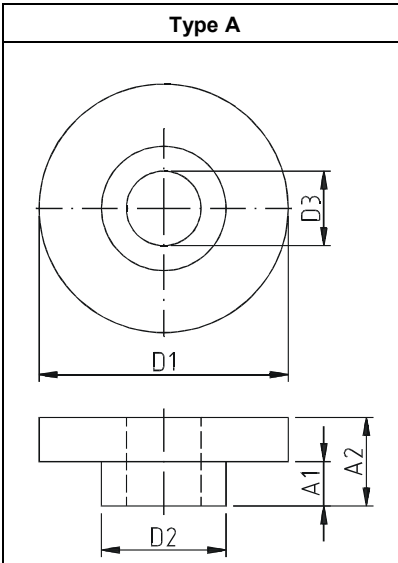
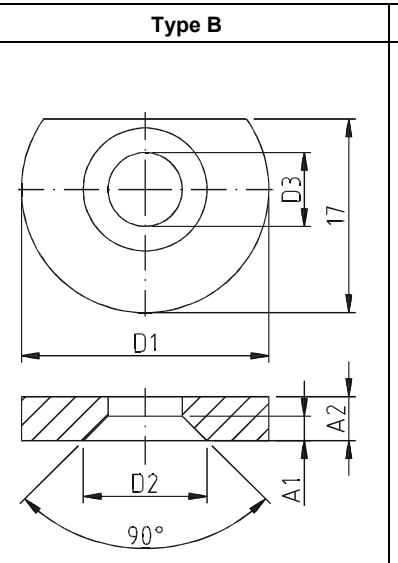
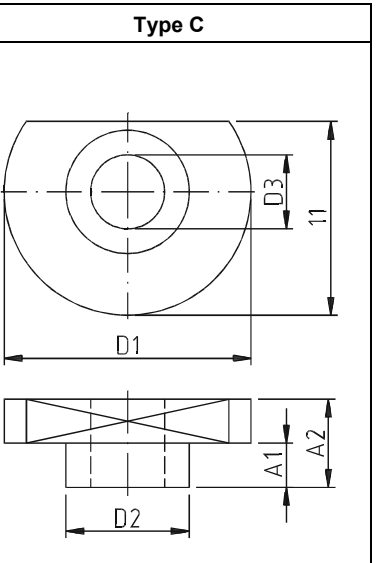


- Easy encoder mounting with max. 3 clamps or mounting brackets (3 x 120°)

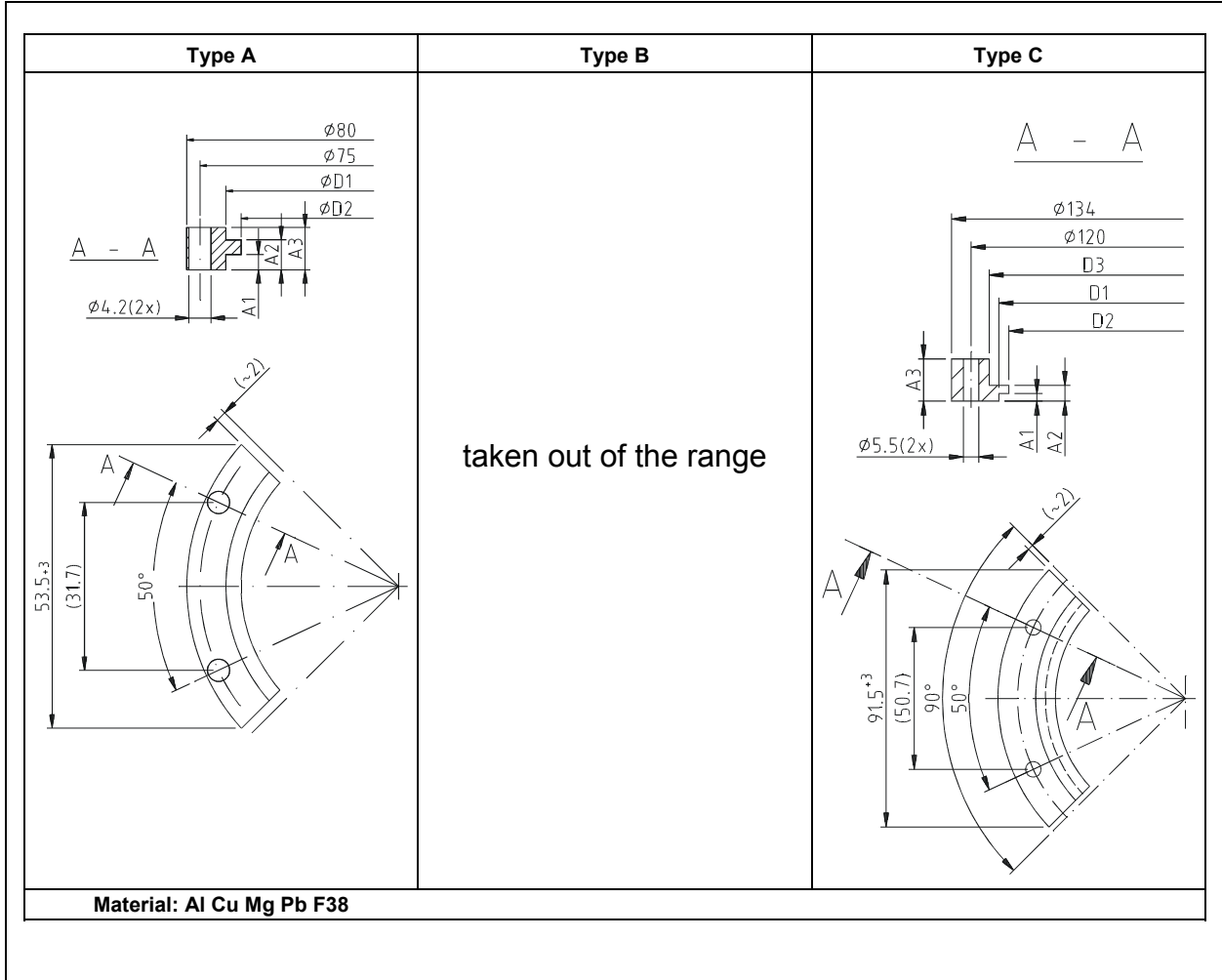
Mechanical characteristic data (clamps)

Typ	Ø D1	Ø D2	Ø D3	A1	A2	Artikel-NR.
A	11	7	4,2	1,3	2,5	49-115-002
A	14	7	4,2	2,5	5	49-115-004
B	22	6,6	3,4	1,6	2,5	49-115-003
C	14	7	4,2	2,5	5	49-115-001
C	14	7	4,2	1,5	3,2	49-115-005

Dimensional drawing (clamps)

Type A	Type B	Type C
		
Material: 9 S Mn Pb 28 K	Material: Al Cu Mg Pb F38	Material: 9 S Mn Pb 28 K

Dimensional drawing (mounting bracket)



Mechanical characteristic data (mounting bracket)

Type	$\phi D1$	$\phi D2$	$\phi D3$	A1	A2	A3	Art.-No.
A	65,2±0,1	61,5±0,1	-----	1,9-0,1	3,7-0,1	6	49-110-002
A	65,2±0,1	59,5±0,1	-----	2,9-0,1	5,7-0,1	8	49-110-005
A	58,2±0,1	54,5±0,1	-----	1,9-0,1	3,8-0,1	6,7	49-110-008
B	taken out of the range						49-110-001
C	100,2±0,1	93±0,1	107,1±0,1	2,7-0,1	5,6-0,1	15	49-110-003