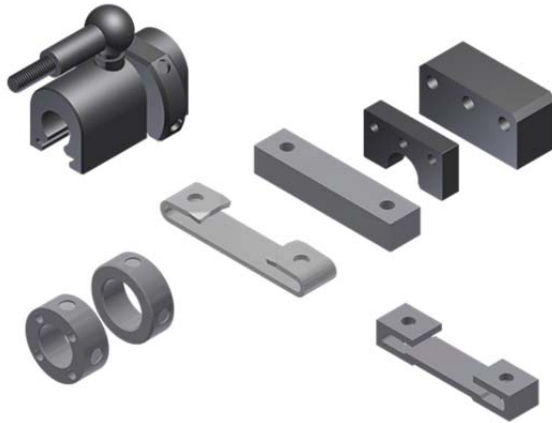


Accessories for magnetostrictive linear encoders

Position sensors, Mounting accessories

When inquiring about suitable accessories, please always specify the encoder.

Order-#: diverse
TR-V-TI-GB-0500-06
01/31/2020



Advantages

- _ high compatibility
- _ versatile applicable
- _ easy mounting
- _ wide product range

Product overview

| Name | Material | width in mm | Order no. |
|-----------------------------------|--------------------|-------------|------------|
| Open ring magnet: T4U3820 | PPE 30% fibreglass | 8 | 49-155-003 |
| Round magnet T4M20 | plastic | 8 | 49-155-026 |
| Round magnet: T4M22 | aluminum | 8 | 49-155-005 |
| Round magnet: T4M33 | plastic | 8 | 49-155-016 |
| Round magnet: T3U64 | PPE 30% fibreglass | 8 | 49-155-006 |
| Block magnet: T1-S5520 | plastic | 15 | 49-155-009 |
| Block magnet: T2-S5520N | plastic | 15 | 49-155-032 |
| Block magnet: T1-S3818 | plastic | 15 | 49-155-015 |
| Magnet slider with ball-joint arm | | - | 85-917-013 |
| Swimmer magnet: K4-M51 | 1.4571 | - | 49-915-080 |
| Double clamping | aluminum | 15 | 49-917-001 |
| Double clamping (mounting set*) | aluminum | 15 | 85-917-002 |
| Double clamping | stainless steel | 15 | 49-917-057 |
| Spacer (5 mm) | | 15 | 49-917-081 |
| Spacer (10 mm) | | 15 | 49-917-082 |
| Spacer (12 mm) | | 15 | 49-917-083 |

* consisting of: - 2x Double clamping (49-917-001)
- 4 x Cylinder head screws M5 x 20
- 4 x Washer M5

Subject to change.

Accessories for magnetostrictive linear encoders

Position sensors, Mounting accessories

When inquiring about suitable accessories, please always specify the encoder.

Order-#: diverse
TR-V-TI-GB-0500-06
01/31/2020

| Name | Material | width in mm | Order no. |
|---|---------------------|-------------|------------|
| Sliding head with slide bearing BEM 5 DURBAL | stainless steel | - | 49-280-002 |
| Joint rod LP38 D 10x60 | Al, Cu, Mg, Pb, F38 | - | 49-917-026 |
| Joint rod LP38 L 360 MM | Al, Cu, Mg, Pb, F38 | - | 49-917-022 |


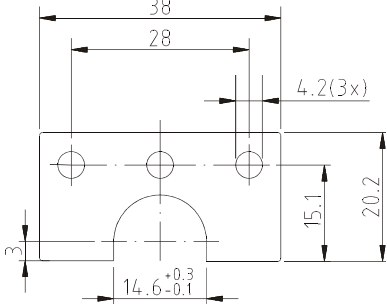

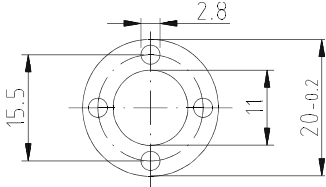

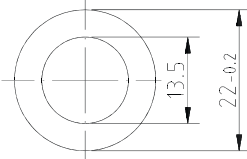

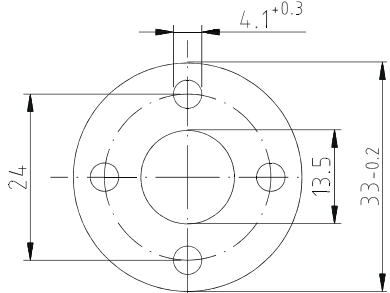
Subject to change.

Accessories for magnetostrictive linear encoders

Position sensors, Mounting accessories When inquiring about suitable accessories, please always specify the encoder.

Order-#: diverse
TR-V-TI-GB-0500-06
01/31/2020

Product description

| Order no. | Product image | Measures |
|------------|---|--|
| 49-155-003 |  |  |
| 49-155-026 |  |  |
| 49-155-005 |  |  |
| 49-155-016 |  |  |


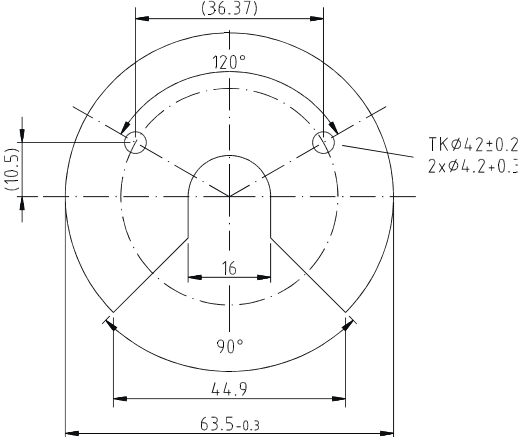

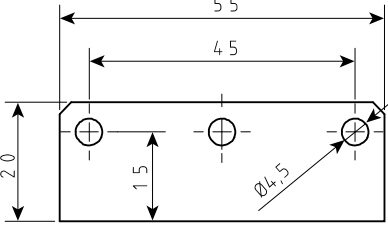

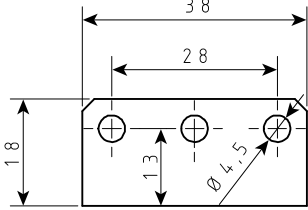

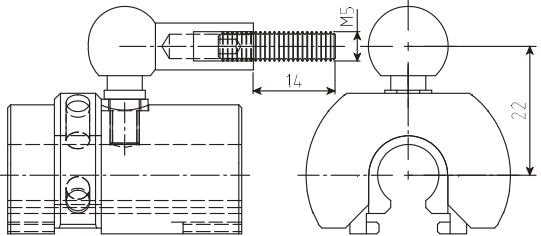
Subject to change.

Accessories for magnetostrictive linear encoders

Position sensors, Mounting accessories

When inquiring about suitable accessories, please always specify the encoder.

Order-#: diverse
TR-V-TI-GB-0500-06
01/31/2020

| Order no. | Product image | Measures |
|---|---|--|
| 49-155-006 |  |  |
| 49-155-009 (3 mm distance to the measuring system) |  |  |
| 49-155-032 (8 mm distance to the measuring system) |  |  |
| 85-917-013 |  |  |


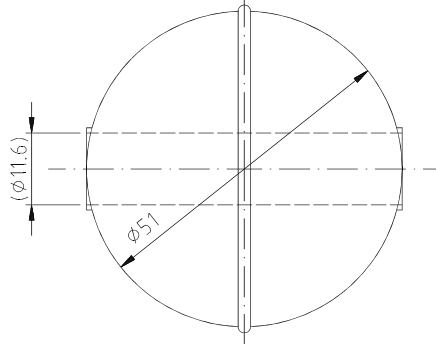

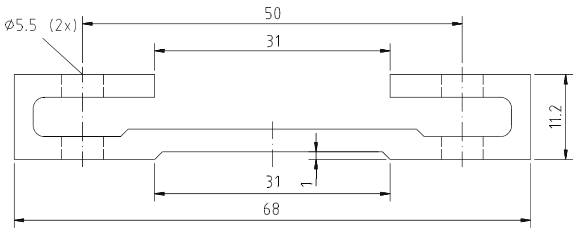


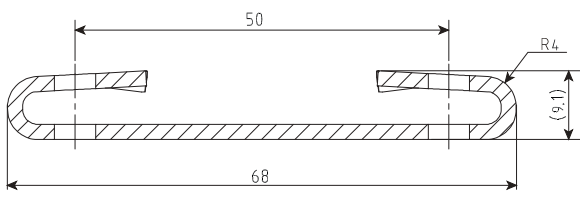

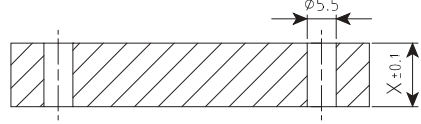
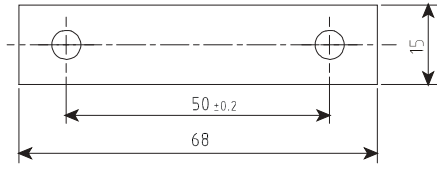
Subject to change.

TR-Electronic GmbH
Eglshalde 6
78647 Trossingen
Tel. +49 (0) 7425 228-0
info@tr-electronic.de
www.tr-electronic.de

Accessories for magnetostrictive linear encoders

Position sensors, Mounting accessories When inquiring about suitable accessories, please always specify the encoder.

Order-#: diverse
TR-V-TI-GB-0500-06
01/31/2020

| Order no. | Product image | Measures |
|---------------------------|---|--|
| 49-915-080 |  |  |
| 49-917-001 |  |  |
| 85-917-002 |  | |
| 49-917-057 |  |  |
| 49-917-081 (X = 5 mm) |  |  |
| 49-917-082 (X = 10 mm) | |  |
| 49-917-083 (X = 12 mm) | | |

Subject to change.

TR-Electronic GmbH
Eglisshalde 6
78647 Trossingen
Tel. +49 (0) 7425 228-0
info@tr-electronic.de
www.tr-electronic.de

Accessories for magnetostrictive linear encoders


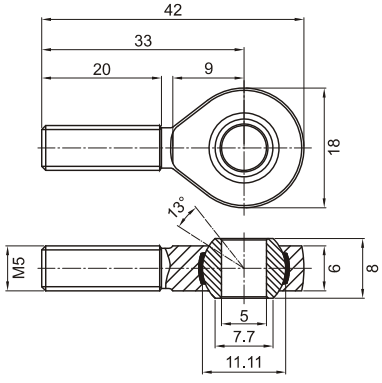
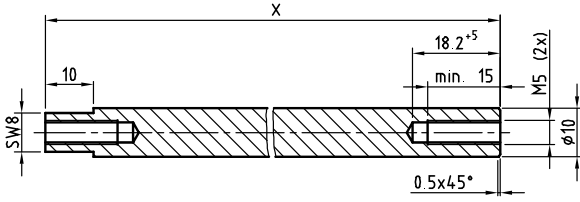
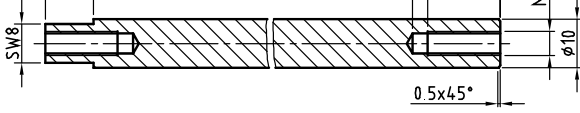
Position sensors, Mounting accessories

When inquiring about suitable accessories, please always specify the encoder.

Order-#: diverse

TR-V-TI-GB-0500-06

01/31/2020

| Order no. | Product image | Measures |
|----------------------------|---|---|
| 49-280-002 |  |  |
| 49-917-022 (X = 360 mm) | |  |
| 49-917-026 (X = 60 mm) | |  |

Subject to change.